

LIND BannerFrameCLASSIC

LIND SignSpringGroup®

Simplicity. Versatility. Durability. Perfection!

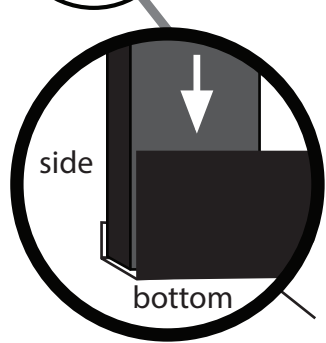
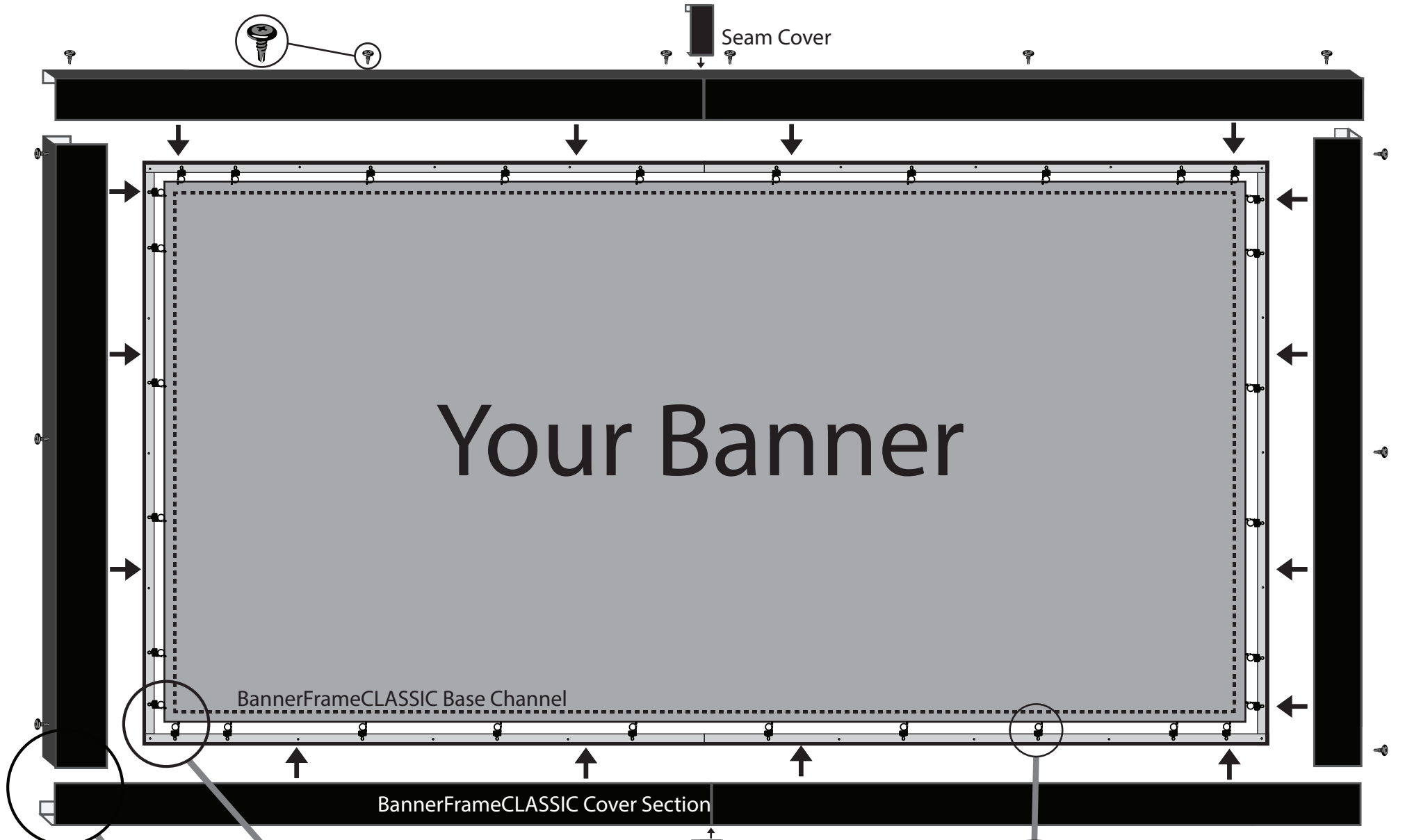
Ships pre-measured and prepped for EASY out-of-the-box installation....



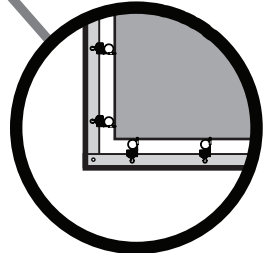
Durable Spring and Hook technology means no Grommets, Cables, Tracks or Clips, and No Ratchets, Wrinkles, Sags or Rips! The constant, even tension provides a durable, permanent signage solution while enabling easy graphic change-outs.

SignSpring install cleanly with the simplicity of a trampoline. Whether your display period is 4 weeks or 4 years, SignSpring provides tight, wrinkle-free, sag-free, professional banner installations every time! Developed and proven on Billboards in extreme Great Lakes conditions, SignSpring is unequalled from the smallest P-O-P banner displays to the largest urban wallscapes and billboards. **There is no simpler or better technique for vinyl graphic installation.**

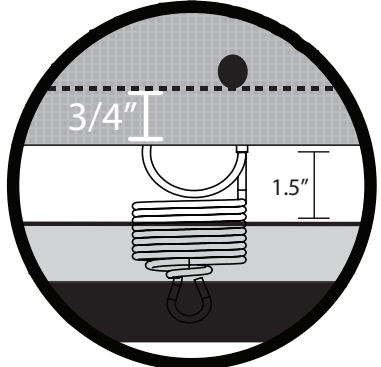




The side covers tuck under the top and bottom covers.



LIND
SignSpring[®]
 PATENTED
 FABRIC GRAPHIC INSTALLATION SYSTEM
 BannerSpring • BannerFrame • PosterSpring
LIND
BannerFrameCLASSIC
 LIND SignSpringGroup



NOTICE
 INSTALL ONLY IN ACCORDANCE WITH LOCAL BUILDING CODES AND LOCAL ENGINEERING REVIEW & APPROVAL.