



Ships Prepped for Direct-From-Box Installation

It's like BannerFrame CLASSIC in a Tuxedo!

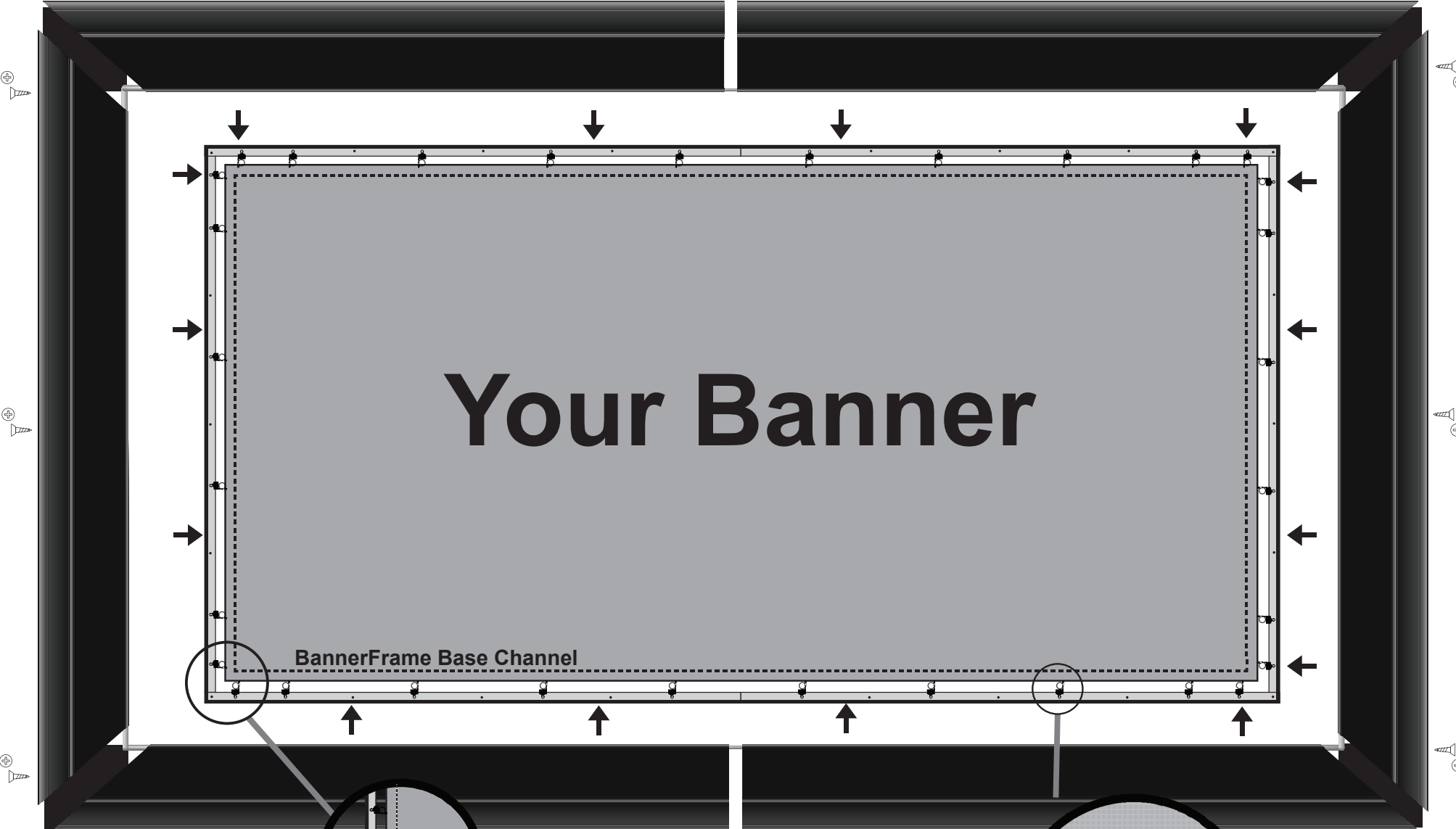
BannerFrameDeluxe, with beveled cover sections, takes banner displays to a new level. Underneath the sophisticated surface is Lind BannerFrameCLASSIC, with quick, easy installations and vinyl changeouts in minutes. Engineered spring & hook tension provides a durable & permanent signage solution while enabling easy graphic change-outs.

Developed and proven on Billboards in extreme Great Lakes conditions, BannerFrame-Deluxe turns common banners into works of art. Whether your display period is 4 days, 4 weeks or 4 years, BannerFrameDeluxe provides tight, wrinkle-free, sag-free, professional banner installations every time!

Lind SignSpring is unequalled from the smallest P-O-P banner displays to the largest urban wallsapes and billboards. **There is no simpler or better technique for vinyl graphic installation.**

NOTICE
 INSTALL ONLY IN
 ACCORDANCE WITH
 LOCAL BUILDING
 CODES AND LOCAL
 ENGINEERING
 REVIEW & APPROVAL.

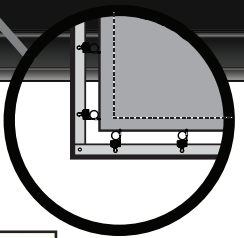
There will be a straight steel rod provided in your kit.
Simply insert the rod into the hollow ends of the BannerFrameDELUXE
where the two pieces will meet, and then slide the pieces together to fit!



BannerFrame Base Channel

Your Banner

For the Corners, there will be an angled rod and a "scab piece" will be provided. Insert the rod into the corners and slide the pieces together to fit.

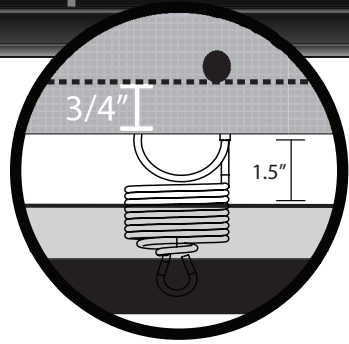


Included in your kit will be a set of screws. Insert these along the BannerFrameDeluxe outside to secure it to the BannerFrame Base Channel.



LIND
BannerFrame Deluxe!
LIND SignSpringGroup

LIND
*SignSpring*TM
PATENTED
Fabric Graphic Installation Systems
BannerSpring • BannerFrame • PosterSpring



NOTICE
INSTALL ONLY IN ACCORDANCE WITH LOCAL BUILDING CODES AND LOCAL ENGINEERING REVIEW & APPROVAL.

